

---

# INSTALLATION INSTRUCTIONS

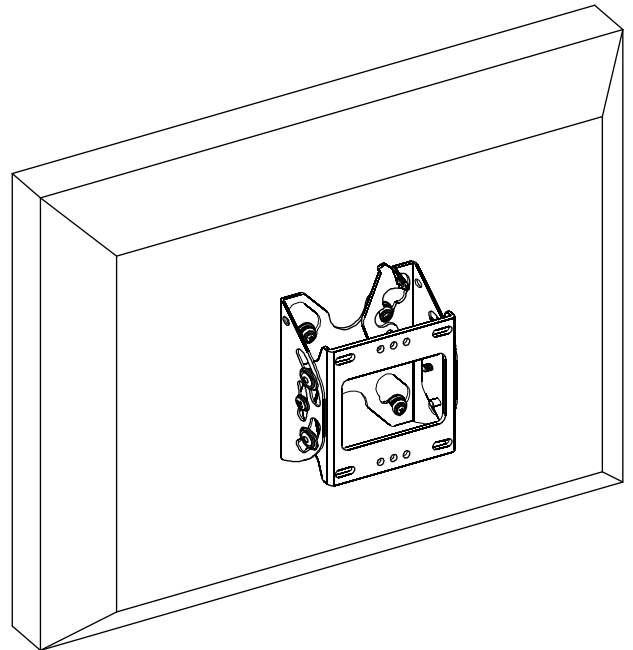
---

## SMALL FLAT PANEL ADJUSTABLE PITCH WALL MOUNT

### Model: FTR Series

#### Specifications:

- Designed for installation on single wood studs or drywall (1/2" minimum thickness); either option provides  $\pm 1/2$ " lateral shift.
- Weight capacity:
  - 45 lbs (20 kg) for wood stud installation
  - 30 lbs (14 kg) for drywall installation
- Provides tilt range from 5° up to 15° down.



---

#### BEFORE YOU BEGIN

---



**WARNING:** It is the installer's responsibility to make sure all components are properly assembled and installed using the instructions provided. Failure to read, thoroughly understand, and follow all instructions can result in serious personal injury, damage to equipment, or voiding of factory warranty.

- If you have any questions about these instructions or your specific installation, contact Chief Manufacturing.

Chief® is a trademark of Milestone AV Technologies. All rights reserved.



Our Mounts. **Your Vision.** P: 800.582.6480 / 952.894.6280 F: 877.894.6918 / 952.894.6918

Chief Manufacturing, a products division of  
Milestone AV Technologies  
8401 Eagle Creek Parkway, Savage, MN 55378

8804-000343 RevB  
©2009 Milestone AV Technologies,  
a Duchossois Group Company

[www.chiefmfg.com](http://www.chiefmfg.com)

06/09

---

**! IMPORTANT WARNINGS AND CAUTIONS!**

**WARNING:** A WARNING alerts you to the possibility of serious injury or death if you do not follow the instructions.

**CAUTION:** A CAUTION alerts you to the possibility of damage or destruction of equipment if you do not follow the corresponding instructions.

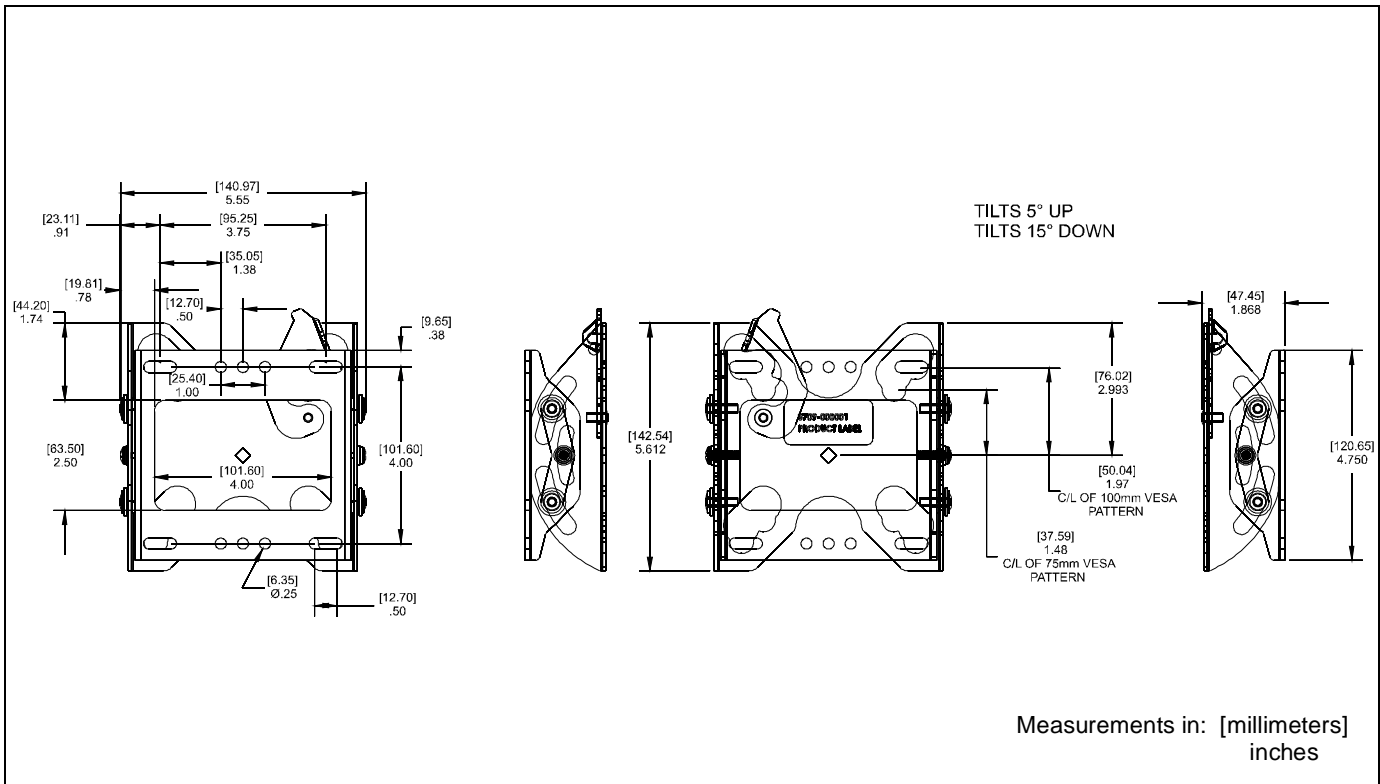
**! WARNING:** It is the installer’s responsibility to make sure the structure to which this unit is attached can support five times the combined weight of all equipment. Reinforce the structure as required before installing the unit. Failure to provide adequate structural strength for this unit can result in serious personal injury or damage to equipment!

**! WARNING:** It is the installer’s responsibility to make sure the combined weight of the display, mount, accessories, and any other attached equipment must not exceed 45 lbs (20 kg) for wood stud installation OR 30 lbs (14 kg) for drywall installation, the maximum support weight of this unit. Exceeding the maximum support weight can result in serious personal injury or damage to equipment!

**! WARNING:** Make sure the latches securing the display are fully closed at all times except when removing or installing the display. The latches must be fully closed when installing or removing cables from the display.

**! WARNING:** Watch for pinch points. Do not put your fingers between movable parts.

**DIMENSIONS**



**TOOLS REQUIRED FOR INSTALLATION**

- Drill
- 1/8" drill bit (wood stud installation)
- 3/8" drill bit (drywall installation)
- Hammer (drywall installation)
- Phillips screwdriver, #2

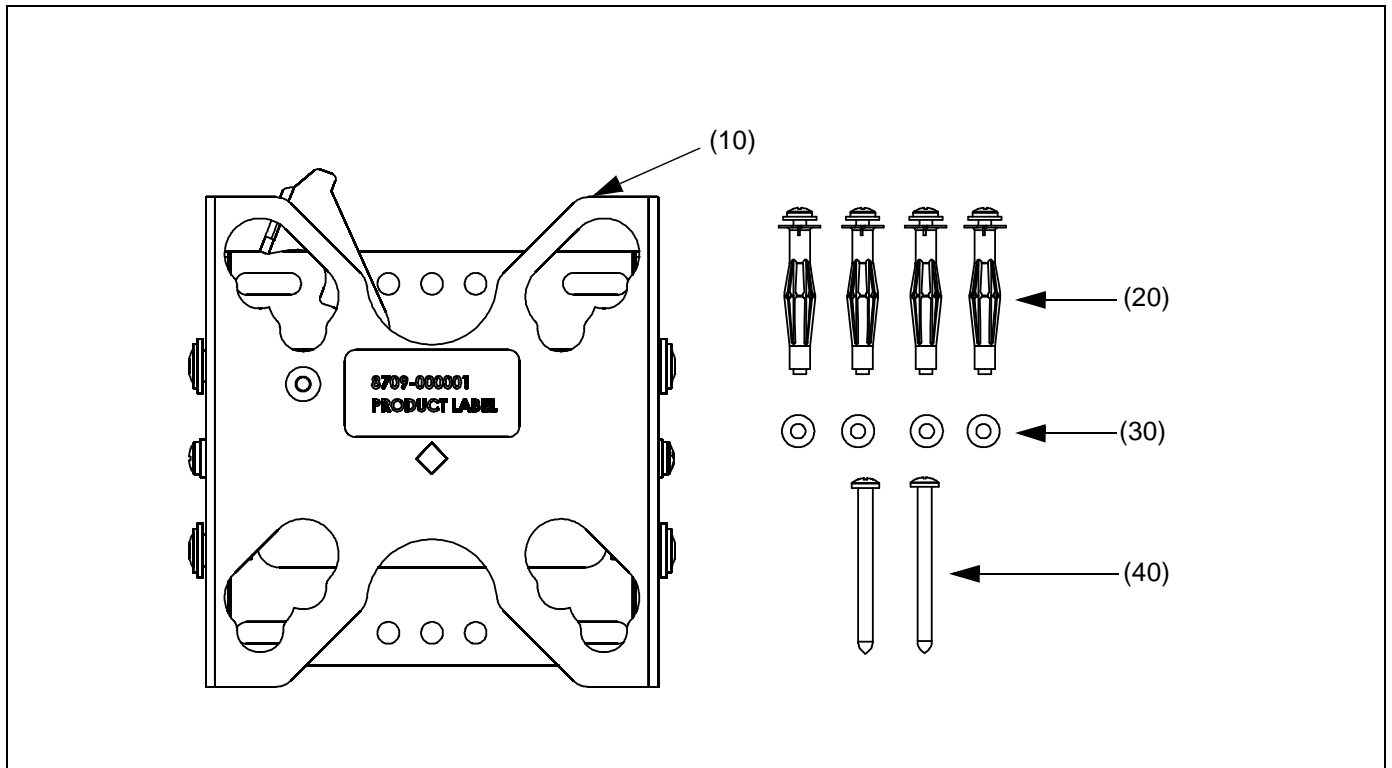
**NOTE:** Other tools may be required depending on your method of installation.

**PARTS**

After unpacking carton, inspect and verify contents (See Figure 1). If any listed parts are missing or damaged, contact Chief Customer Service.

**Table 1: Parts**

Item	Description	Qty
10	PLATE, Wall	2
20	ANCHOR, Hollow Wall, #10-24	4
30	WASHER, Flat, Standard Machine Screw, #10	4
40	SCREW, Phillips Pan Head Sheet Metal, #10 x 2-1/2"	2



**Figure 1: Parts**

## INSTALLATION

The FTR may be installed on either a single wood stud, or drywall (1/2" minimum thickness).

### INSTALL MOUNT TO SINGLE WOOD STUD

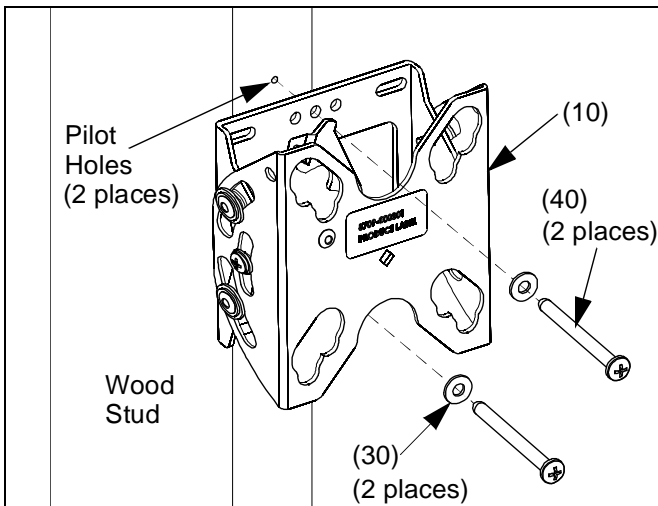
1. Determine approximate mounting location, keeping in mind the display size.
2. Use a stud sensor to locate applicable wood stud. Mark location with a pencil.
3. Level plate (10) at desired height and, using plate (10) as a template, mark the location of upper and lower pilot holes. Ensure marks are in the center of wood stud.

**NOTE:** Mount can provide  $\pm 1/2$ " of lateral shift by using mount holes on either side of vertical centerline.



**WARNING:** ELECTRICAL SHOCK HAZARD! Drilling into electrical wires or cables can cause DEATH or SERIOUS PERSONAL INJURY! ALWAYS make certain area behind mounting surfaces is free of electrical wires and cables before drilling or installing mount fasteners.

4. Drill pilot holes using a 1/8" drill bit. Ensure pilot holes are straight.
5. Using Phillips screwdriver, insert screw (40) through washer (30), plate (10), and drywall (not shown) and install into pilot holes (See Figure 2).



**Figure 2: Installation to Single Wood Stud**

6. Repeat for remaining screw (40).
7. Tighten both screws (40) securely.

### INSTALL MOUNT TO DRYWALL



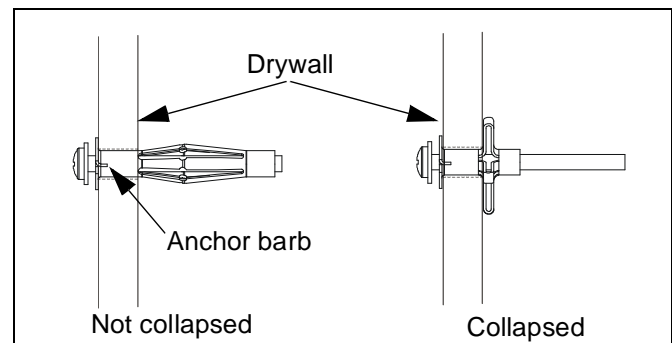
**WARNING:** Drywall must be 1/2" minimum thickness. Failure to provide adequate structural strength for this unit can result in serious personal injury or damage to equipment!

1. Determine approximate mounting location, keeping in mind the display size.
2. Level plate (10) at desired height and, using plate (10) as a template, mark the location of the four anchor holes (one in each corner slot).



**WARNING:** ELECTRICAL SHOCK HAZARD! Drilling into electrical wires or cables can cause DEATH or SERIOUS PERSONAL INJURY! ALWAYS make certain area behind mounting surfaces is free of electrical wires and cables before drilling or installing mount fasteners.

3. Drill anchor holes using a 3/8" drill bit. Ensure holes are straight and completely through drywall.
4. Insert anchor (20) into anchor hole and seat with gentle tapping from hammer. Anchor barbs should be fully engaged in drywall (See Figure 3).



**Figure 3: Drywall Anchor**

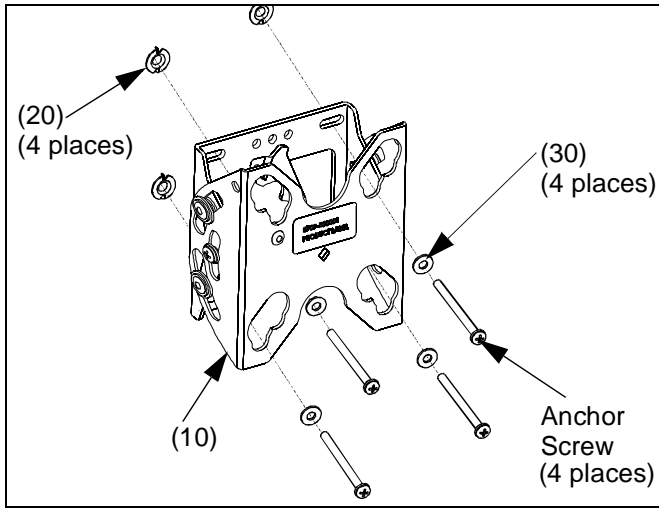
5. Using Phillips screwdriver, tighten anchor screw until anchor has fully collapsed against back side of drywall.

**NOTE:** Anchor screw will feel tight until anchor begins to collapse. Screw will then turn easier for many turns. Screw will feel tight when anchor has fully collapsed.

6. Repeat Steps 4 and 5 for remaining anchors.
7. Remove and retain anchor screws from anchors (20).

**NOTE:** Anchors (20) may come with small washers which may be left on the screw or discarded. These small washers do NOT replace washers (30).

- Using Phillips screwdriver, insert anchor screws through washers (30) and plate (10) and install into collapsed anchors (20). Tighten until secure (See Figure 4).

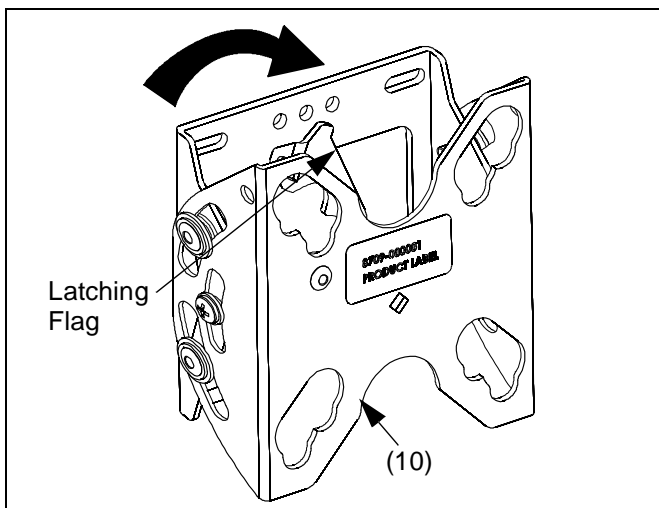


**Figure 4: Installation to Drywall**

**INSTALL DISPLAY TO MOUNT**

**NOTE:** Proper interface must be attached to display. See instructions that come with interface assembly.

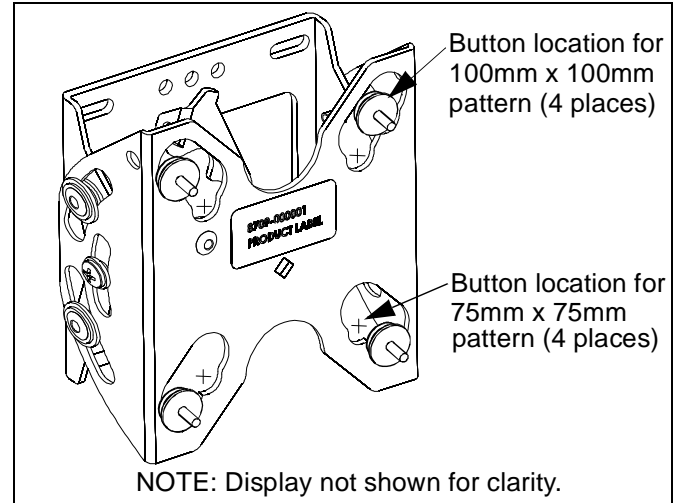
- Open latching flag by rotating flag clockwise on plate (10) (See Figure 5).



**Figure 5: Open Latching Flag**

- Lift and maneuver display such that all buttons fit into button openings on plate (10). Lower display firmly into place. Ensure each button has fully seated in its button opening (See Figure 6).

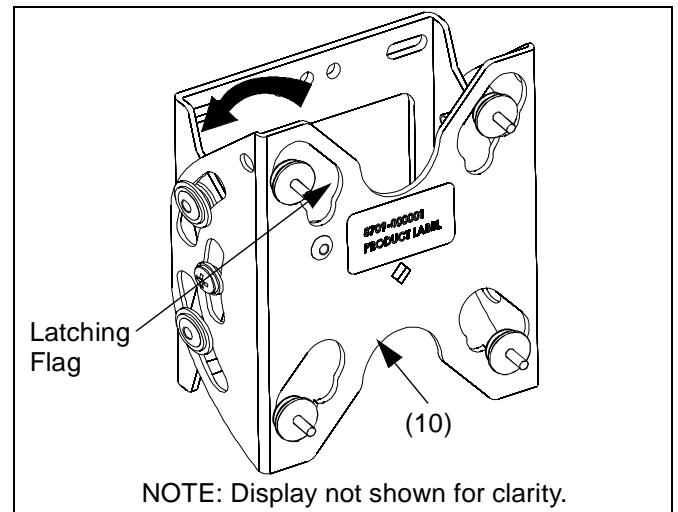
**NOTE:** Mounting buttons are shown in the 100mm x 100mm pattern. Plate (10) will also accommodate a 75mm x 75mm pattern.



**Figure 6: Install Display to Plate**

- Close latching flag by rotating flag counterclockwise on plate (10) (See Figure 7).

**NOTE:** An optional padlock may be used to secure latching flag.



**Figure 7: Close Latching Flag**

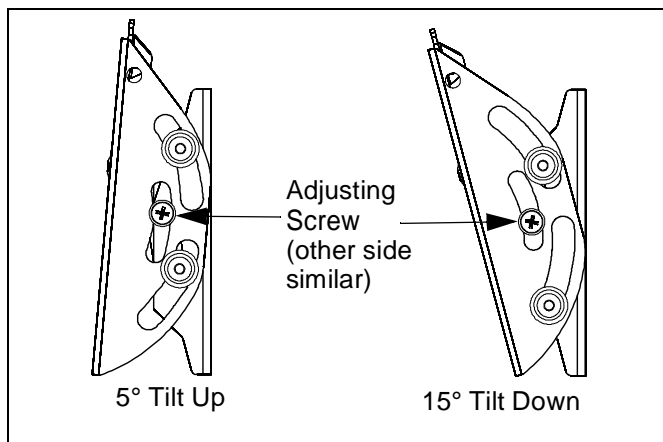
- Connect cables to display as required.

**REMOVE DISPLAY FROM MOUNT**

- Disconnect all cables from display.
- Open latching flag by rotating flag clockwise on plate (10) (See Figure 5).
- Lift and maneuver display mounting buttons out of button openings.

**ADJUST TILT**

1. Loosen adjusting screws on each side of display (See Figure 8).
2. Adjust tilt as desired.
3. Retighten adjusting screws.

**Figure 8: Tilt Adjustment**



